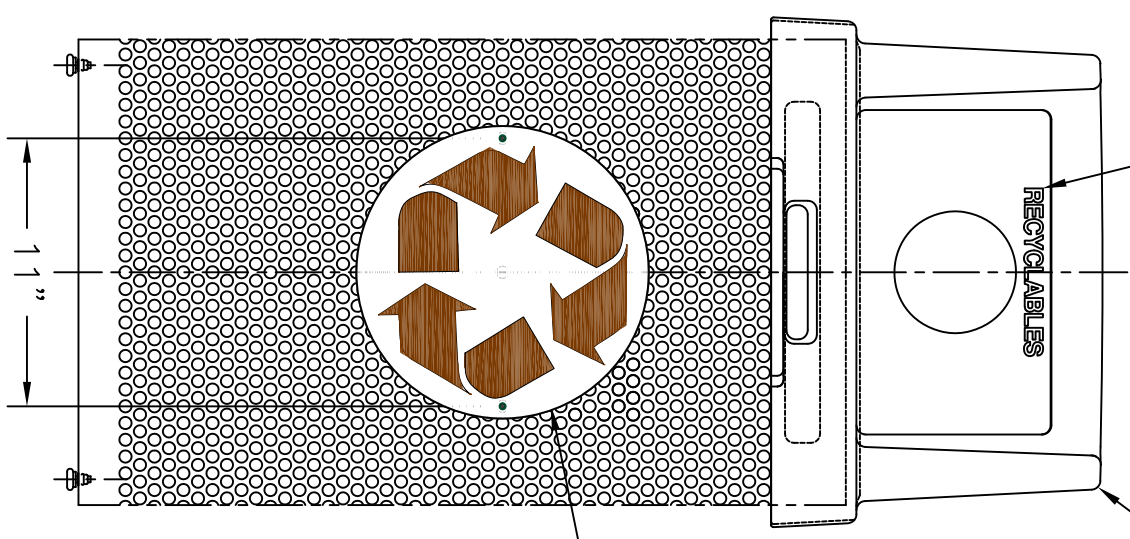


(700633)  
 "RECYCLABLES"  
 3/4" MARK IT LOGO

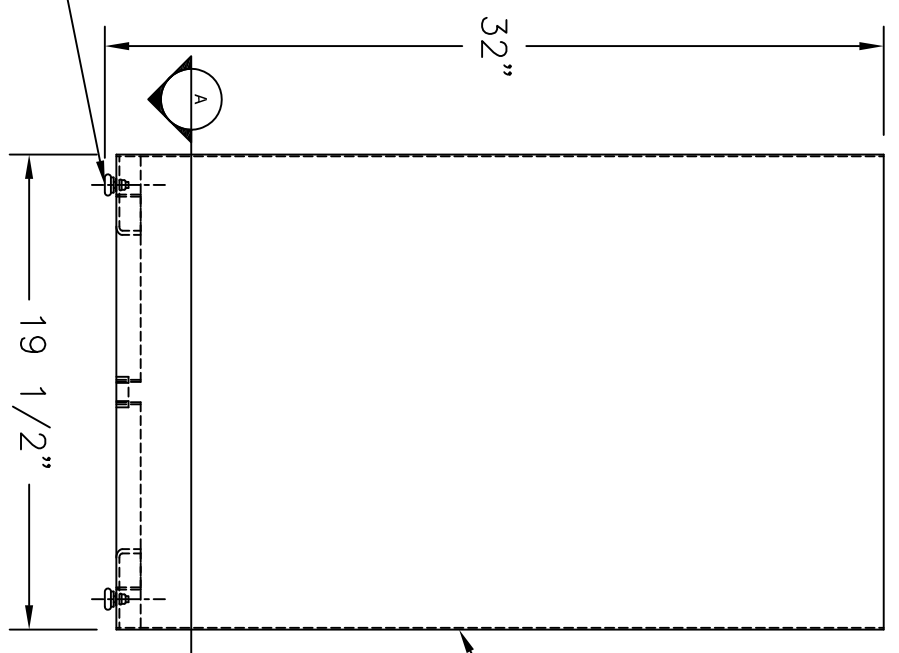
TF1404  
 TOP



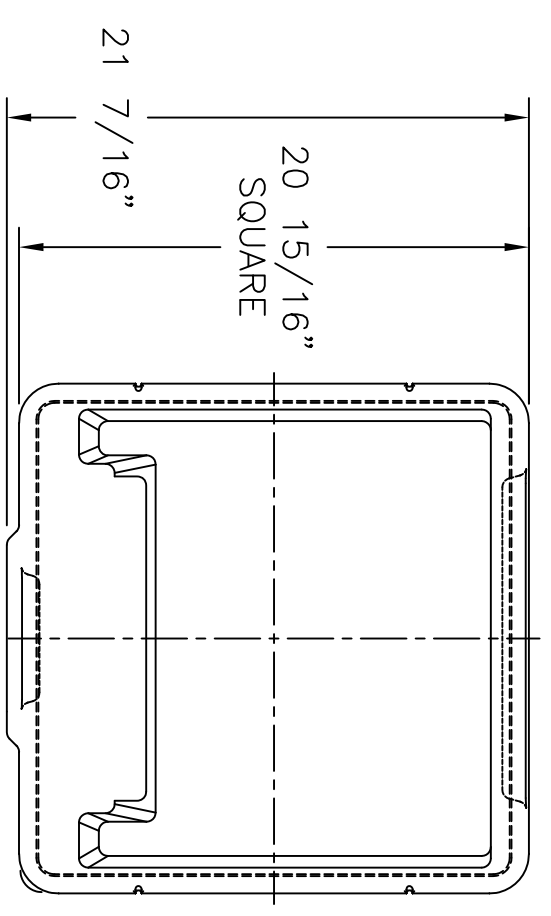
**1 FRONT ELEVATION**  
 Scale: 1/8" = 1"

(7501) 12" METAL  
 RECYCLE ARROW WHITE  
 BACKGROUND WITH  
 BROWN ARROWS

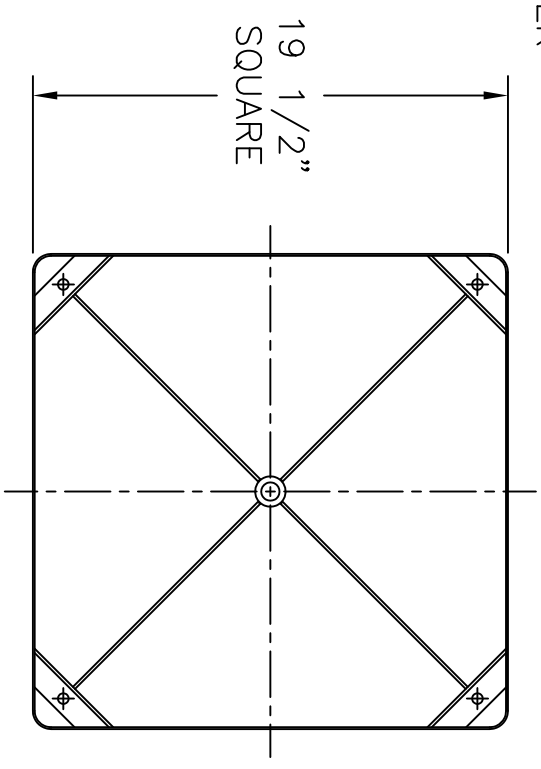
(4) ALS4420165  
 1/4-20 X .165 GRIP  
 AL INSERT AVK &  
 (4) 400029  
 FLOOR GLIDE 1/4-20 X 1



**2 SECTION VIEW**  
 Scale: 1/8" = 1"



**3 TOP VIEW**  
 Scale: 1/8" = 1"



**4 SECTION "A"**  
 Scale: 1/8" = 1"

SIGN BELOW IF DRAWINGS ARE  
 APPROVED W/ MARKED CHANGES

APPROVED: \_\_\_\_\_

DATE: \_\_\_\_\_

(SIGNATURE ABOVE ILLUSTRATES ACCEPTANCE OF DIMENSIONS SHOWN.)

MODEL #3058

REVISION	DESCRIPTION	DRAWN BY	DATE
4			
3			
2			
1			

<b>WAUSAU TITLE</b>		P.O. BOX 1520 WAUSAU, WISCONSIN 54402-1520 800/388-8728	
DRAWN BY JPZ		P.O. BOX 967 BANNING, CALIFORNIA 92220 877/849-5696	
JOB NO.	JOB LOCATION	MATERIAL	WEIGHT
SCALE AS NOTED	UNLESS OTHERWISE SPECIFIED DIMENSIONS ARE IN INCHES ANGLES ±0.5° FRACTIONS ±1/64 2 PL ±0.01 3 PL ±0.005	DATE 1/13/12	ITEM NO. MF3058
TITLE		DWG. NO. 1 OF 1	