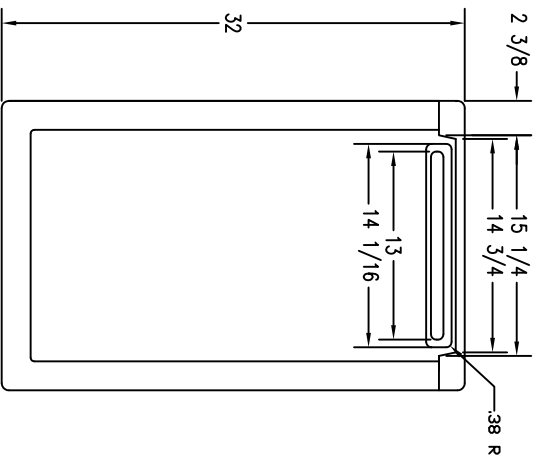
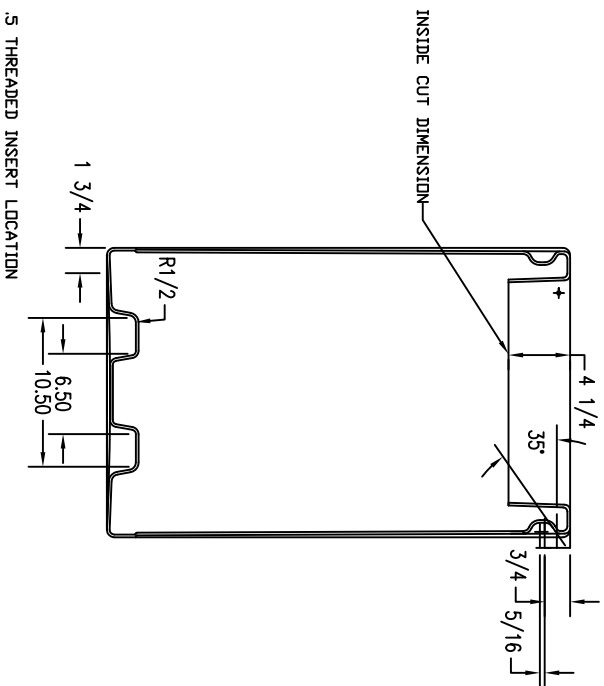


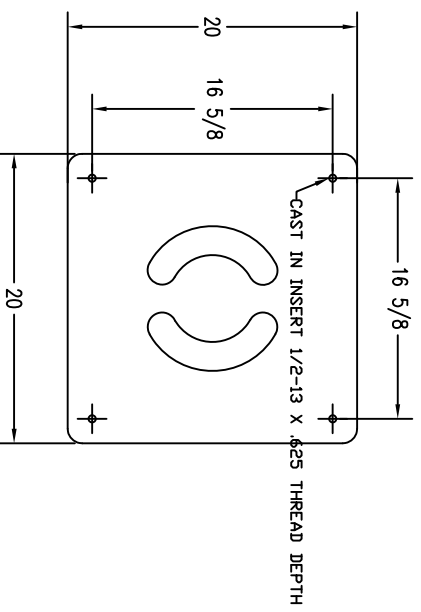
TOP VIEW CONTAINER



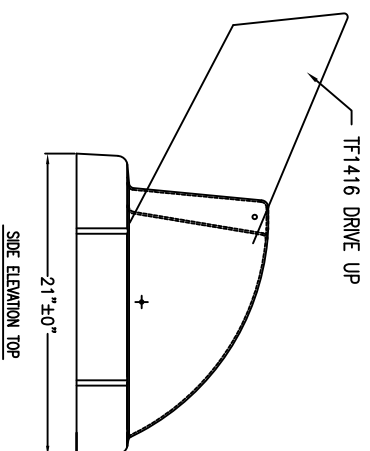
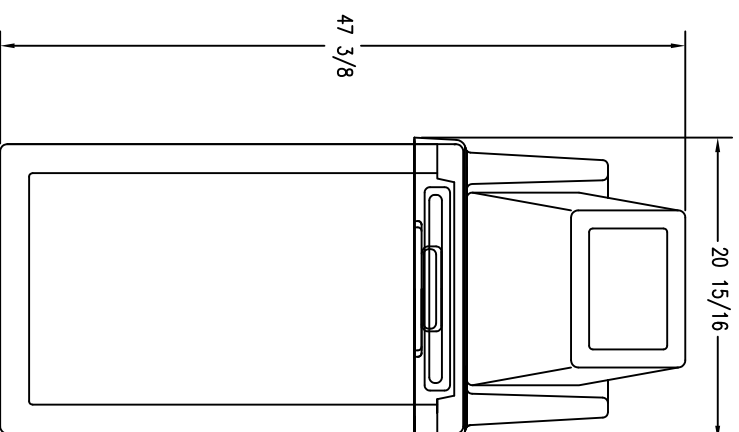
ELEVATION VIEW CONTAINER



SECTION VIEW CONTAINER



BOTTOM VIEW CONTAINER



TF1405 PLASTIC TOP

WAUSAU TILE SITE FURNISHINGS						DRAWN BY L.B.C.		JOB NO.		MATERIAL	
NO.	DATE	BY	NO.	DATE	BY	TITLE	SCALE	DATE	REVISIONS	DATE	BY
1			4					5-4-08			
2			5								
3			6								

2A, 2B, 2C, 2D, 2E, 2F, 2G, 2H, 2I, 2J, 2K, 2L, 2M, 2N, 2O, 2P, 2Q, 2R, 2S, 2T, 2U, 2V, 2W, 2X, 2Y, 2Z
 1A, 1B, 1C, 1D, 1E, 1F, 1G, 1H, 1I, 1J, 1K, 1L, 1M, 1N, 1O, 1P, 1Q, 1R, 1S, 1T, 1U, 1V, 1W, 1X, 1Y, 1Z

UNLESS OTHERWISE SPECIFIED
 DIMENSIONS ARE IN INCHES
 2 R. 4.000 3 R. 4.000

CHECKED: _____
 DATE: 5-4-08
 DESIGNED: _____
 DWS. NO.: TF1018