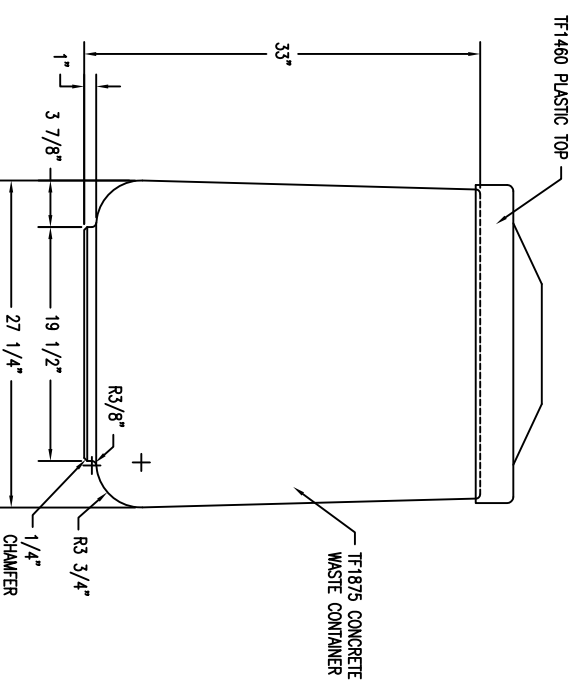
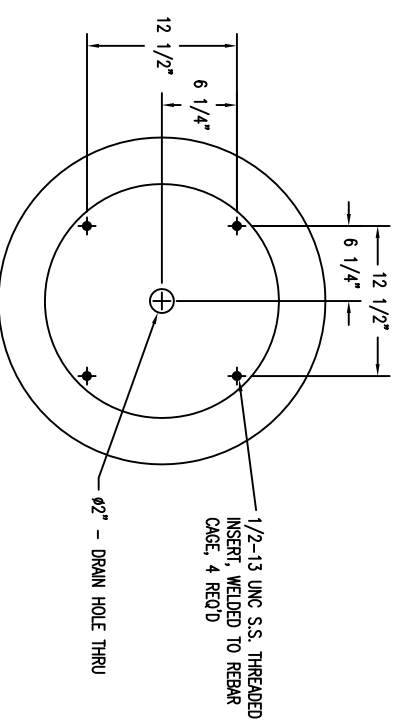


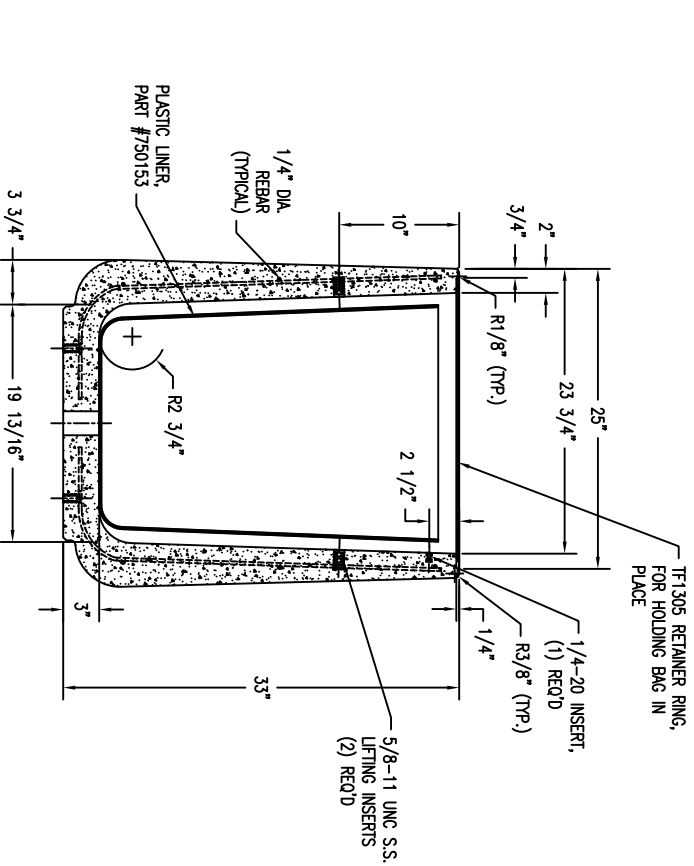
1 TOP VIEW OF TF1160 WASTE CONTAINER  
Scale: 1/8" = 1"



2 ELEVATION VIEW OF TF1160 WASTE CONTAINER  
Scale: 1/8" = 1"



3 BOTTOM VIEW OF TF1160 WASTE CONTAINER  
Scale: 1/8" = 1"



4 SECTION VIEW OF TF1160 WASTE CONTAINER, WITH OUT LID  
Scale: 1/8" = 1"

<b>WAUSAU TILE</b>		P.O. BOX 1520 WAUSAU, WISCONSIN 54982-1520 800/298-8728	
E-MAIL: <a href="mailto:WTL@WAUSAUTILE.COM">WTL@WAUSAUTILE.COM</a>		WEB SITE: <a href="http://WWW.WAUSAUTILE.COM">WWW.WAUSAUTILE.COM</a>	
DRAWN BY	MAS	JOB	MATERIAL
JOB NO.		LOCATION	CONCRETE
SCALE	AS NOTED	UNLESS OTHERWISE SPECIFIED	WEIGHT
REVISION		DIMENSIONS ARE IN INCHES	LBS
1		TOLERANCES ±1/8"	ITEM NO. TF1160
		DATE	CHKD. NO. 1 OF 1
		10/10/07	
		3-11-08	