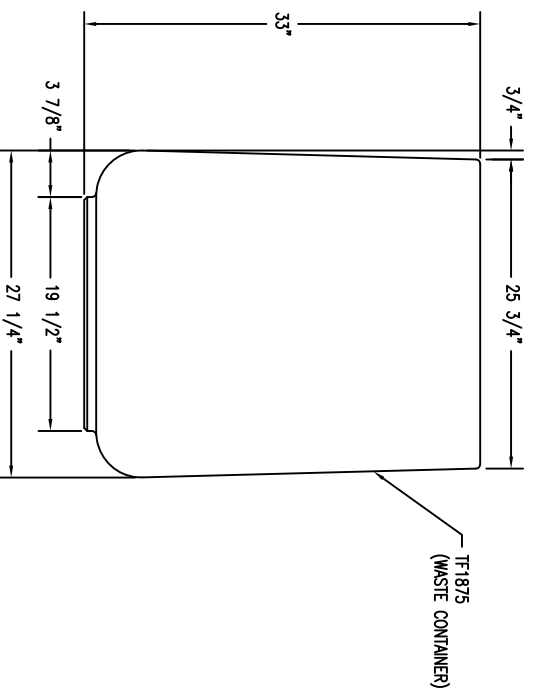
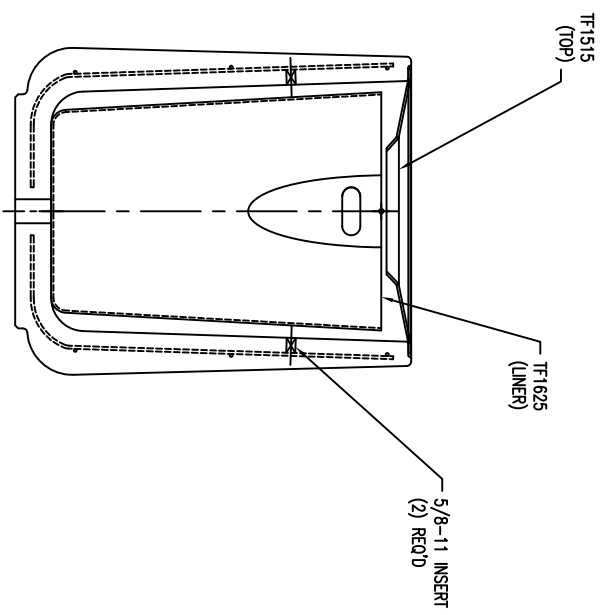


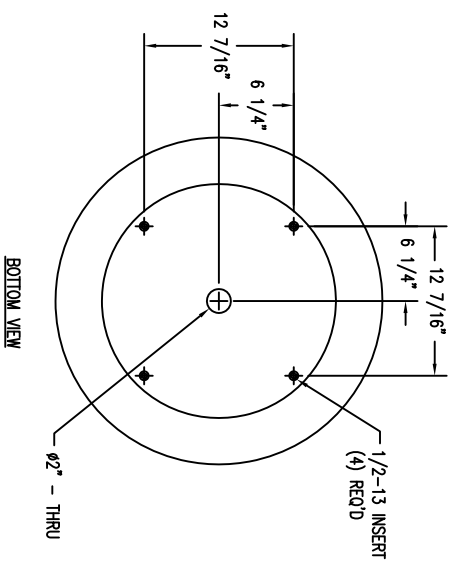
TOP VIEW



ELEVATION VIEW



SECTION VIEW



BOTTOM VIEW

**WAUSAU TILE SITE FURNISHINGS**

REVISIONS						DRAWN BY		MJS		JOB NO.		MATERIAL		CONCRETE	
NO.	DATE	BY	NO.	DATE	BY	TITLE	SCALE	UNLESS OTHERWISE SPECIFIED DIMENSIONS ARE IN INCHES 2 IN. 5/16 IN. 3 IN. 1/4 IN.	DATE	FINISH OPTIONS	WEIGHT	700 LBS.	DMG. NO.	TF1175	
1			4			1/8			10/10/07	A, B, C, GT					
2			5												
3			6												

P.O. BOX 1520 WAUSAU, WISCONSIN 54982-0520 800/298-0728  
P.O. BOX 807 WAUSAU, WISCONSIN 54982-0807