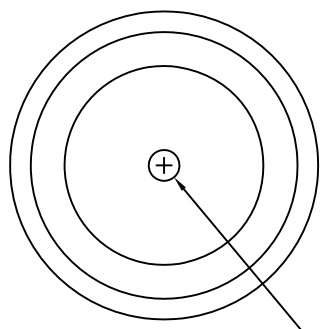


REVISIONS		
NO.	DATE	NOTES
1		
2		
3		
4		
5		
6		
7		
8		

THESE DRAWING SPECIFICATIONS AND OTHER INFORMATION ARE THE PROPERTY OF WALSOU TILE, INC. THE DRAWINGS HEREON SHALL BELONG TO THE OWNER AND SHALL BE RETURNED TO WALSOU TILE, INC. WITHOUT DELAY UPON ANY ADDITIONAL USE SHALL REQUIRE THE PRIOR WRITTEN APPROVAL OF WALSOU TILE, INC. THE PROPRIETARY INFORMATION CONTAINED HEREIN IS UNCLASSIFIED AND NOT SUBJECT TO PATENT AND TRADE SECRET LAWS AND IS THE SOLE PROPERTY OF WALSOU TILE, INC.

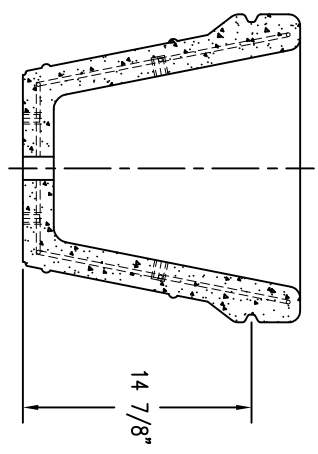
JOB NAME _____
 ADDRESS _____
 CITY, STATE ZIP _____

UNLESS OTHERWISE SPECIFIED
 DIMENSIONS ARE IN INCHES
 FINISHES 4/16"
 DRAWN BY: SK
 DATE: 7/10/15
 CD NUMBER: 7
 WEIGHT: 175 LBS
 PRODUCT NO.
TF 4043

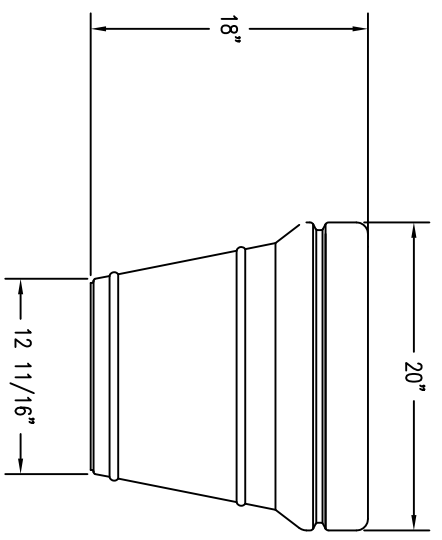


1 TOP VIEW

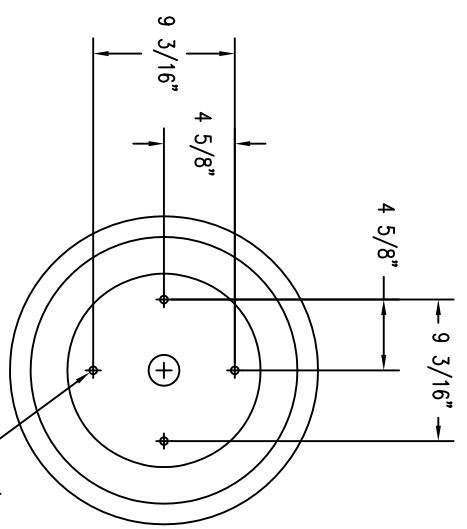
2" DIA. DRAIN HOLE



4 CROSS SECTION



2 ELEVATION VIEW



3 BOTTOM VIEW

1/2-13 THREADED INSERT (4) REQ'D