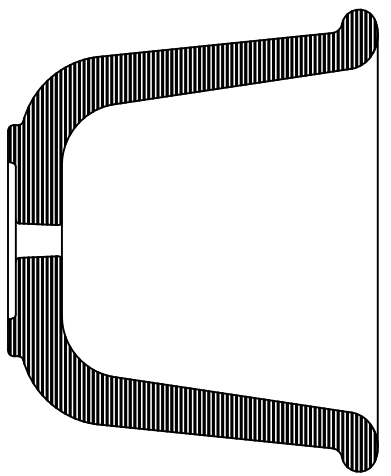
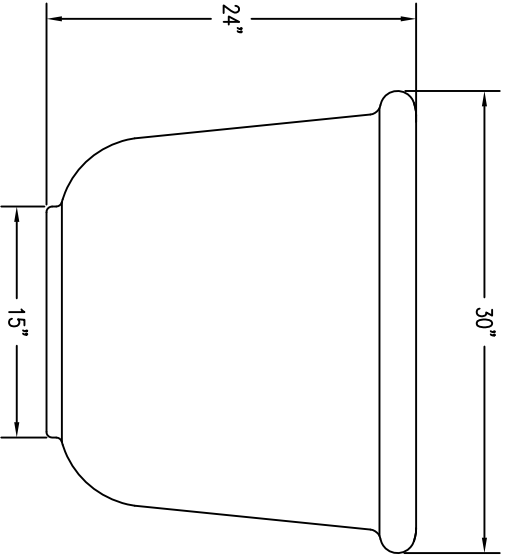


1 TOP VIEW

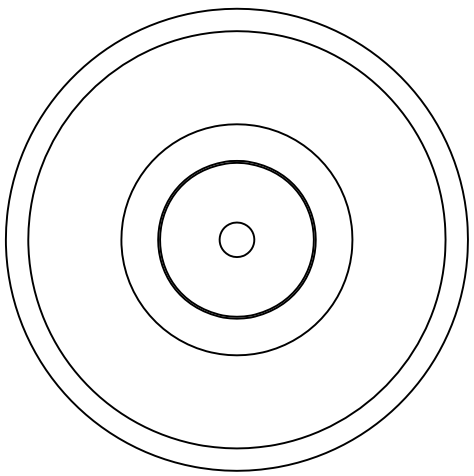
2" DIA. DRAIN HOLE



4 CROSS SECTION



2 ELEVATION VIEW



3 BOTTOM VIEW

MADE IN MEXICO
WAWASAU
 P.O. BOX 1320 WAWASAU, WI 54402-1320
 E-MAIL: SALES@WAWASAU.COM
 WEB SITE: WWW.WAWASAU.COM

REVISIONS		
NO.	DATE	NOTES
1		
2		
3		
4		
5		
6		
7		
8		

THESE DRAWINGS, SPECIFICATIONS AND OTHER INFORMATION ARE THE PROPERTY OF WAWASAU TILE, INC. THE DRAWINGS HEREIN SHALL BELOING TO THE OWNER AND SHALL BE RETURNED TO THE OWNER UPON REQUEST. NO PART OF ANY ADDITIONAL SET SHALL BE REPRODUCED OR TRANSMITTED IN ANY FORM OR BY ANY MEANS, ELECTRONIC OR MECHANICAL, WITHOUT THE WRITTEN APPROVAL OF WAWASAU TILE, INC. THE PROPRIETARY INFORMATION CONTAINED HEREIN IS UNCLASSIFIED AND IS THE SOLE PROPERTY OF WAWASAU TILE, INC.

JOB NAME _____
 ADDRESS _____
 CITY, STATE ZIP _____

UNLESS OTHERWISE SPECIFIED
 DIMENSIONS ARE IN INCHES
 FINISHES 3/16"
 DRAWN BY: SK
 DATE: 8/11/15
 CD NUMBER: 7
 WEIGHT: 30 LBS
 PRODUCT NO.
TF 4054