



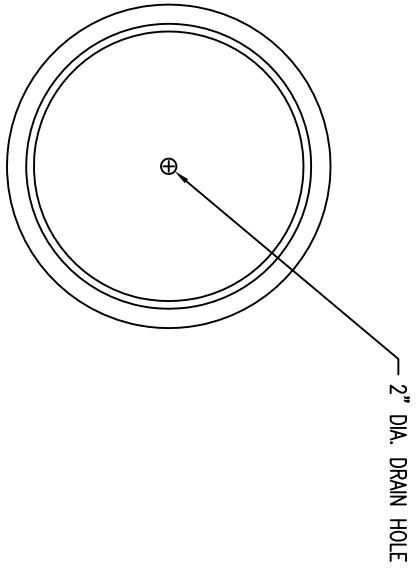
P.O. BOX 1520 WASAU, WI 54402-1520  
 E-MAIL: [WASAU@WASAUINC.COM](mailto:WASAU@WASAUINC.COM)  
 WEB SITE: [WWW.WASAUINC.COM](http://WWW.WASAUINC.COM)

REVISIONS

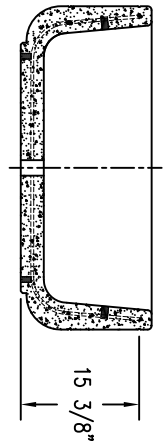
NAME	DATE	NOTES
1		
2		
3		
4		
5		
6		
7		
8		

THESE DRAWING, SPECIFICATIONS AND OTHER INFORMATION ARE THE PROPERTY OF WASAU TILE, INC. THE DRAWINGS AND SPECIFICATIONS SHALL REMAIN THE PROPERTY OF WASAU TILE, INC. ANY ADDITIONAL USE SHALL REQUIRE THE WRITTEN APPROVAL OF WASAU TILE, INC. THE PROPRIETARY INFORMATION CONTAINED HEREIN IS UNCLASSIFIED AND IS THE SOLE PROPERTY OF WASAU TILE, INC.

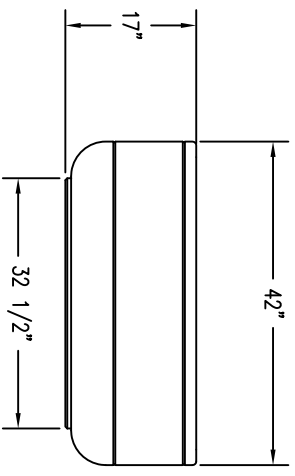
JOB NAME  
 ADDRESS  
 CITY, STATE ZIP



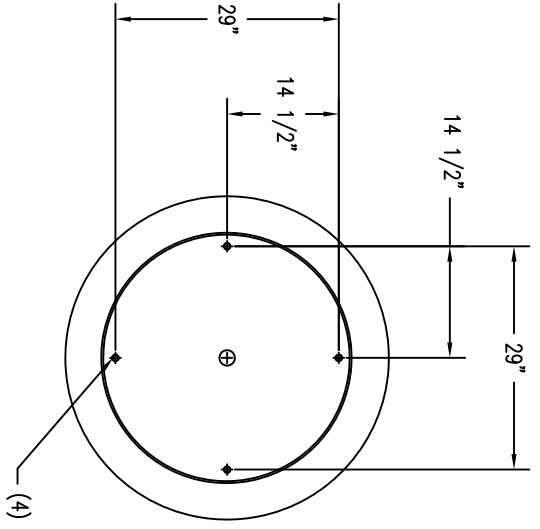
1 TOP VIEW



4 CROSS SECTION



2 ELEVATION VIEW



3 BOTTOM VIEW

(4) 1/2-13 INSERTS

UNLESS OTHERWISE SPECIFIED  
 DIMENSIONS ARE IN INCHES  
 FINISHES: F1/8"

DRAWN BY: SK  
 DATE: 7/7/15  
 CD NUMBER: ?  
 WEIGHT: 720 LBS

PRODUCT NO.  
**TF 4105**