

| REVISIONS | | |
|-----------|------|-------|
| NAME | DATE | NOTES |
| 1 | | |
| 2 | | |
| 3 | | |
| 4 | | |
| 5 | | |
| 6 | | |
| 7 | | |
| 8 | | |

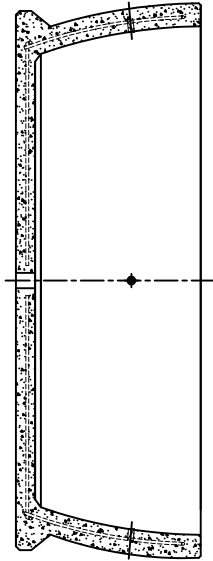
THESE DRAWING, SPECIFICATIONS AND OTHER INFORMATION ARE THE PROPERTY OF WASAU TILE, INC. THE DRAWINGS AND SPECIFICATIONS SHALL REMAIN THE PROPERTY OF WASAU TILE, INC. ANY ADDITIONAL USE SHALL REQUIRE THE PRIOR WRITTEN APPROVAL OF WASAU TILE, INC. THE PROPRIETARY INFORMATION AND TRADE SECRETS OF WASAU TILE, INC. SHALL REMAIN THE PROPRIETARY AND TRADE SECRETS OF WASAU TILE, INC.

JOB NAME _____
 ADDRESS _____
 CITY, STATE ZIP _____

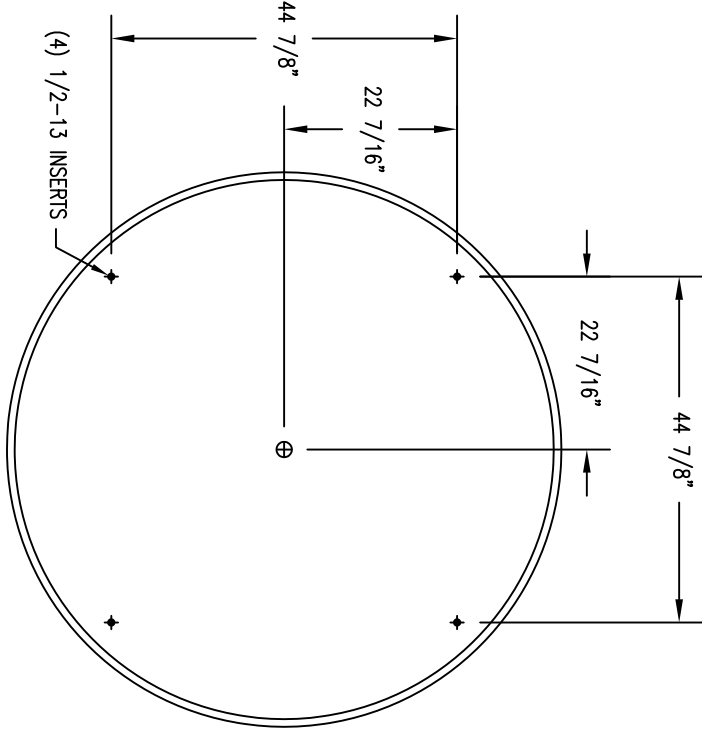
UNLESS OTHERWISE SPECIFIED
 DIMENSIONS ARE IN INCHES
 FINISHES 3/16"

DRAWN BY: SK
 DATE: 8/11/15
 CO NUMBER: 7
 WEIGHT: 1,800 LBS

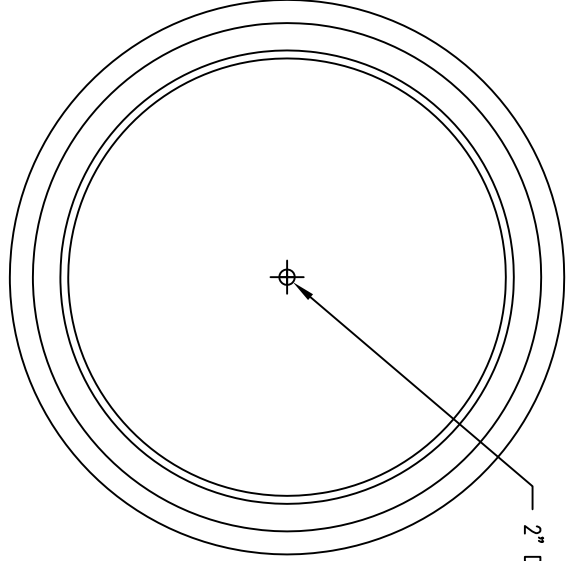
PRODUCT NO.
TF 4131



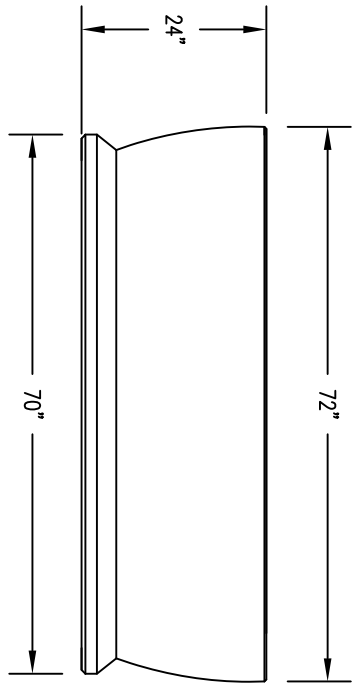
4 CROSS SECTION



3 BOTTOM VIEW



1 TOP VIEW



2 ELEVATION VIEW