

REVISIONS		
NAME	DATE	NOTES
1		
2		
3		
4		
5		
6		
7		
8		

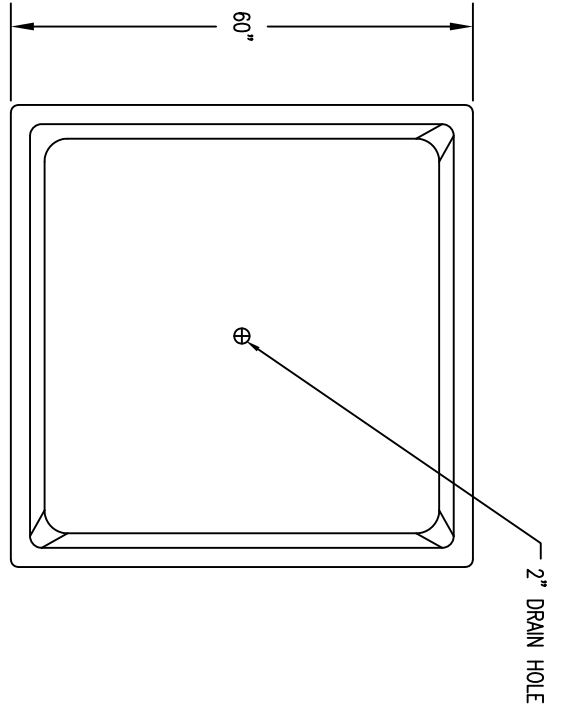
THESE DRAWING SPECIFICATIONS AND DIMENSIONS ARE THE PROPERTY OF WASAU TILE, INC. THE DIMENSIONS OF WASAU TILE SHALL BE TO THE DIMENSIONS SHOWN ON THE DRAWING. ANY ADDITIONAL USE SHALL REQUIRE THE PRIOR WRITTEN APPROVAL OF WASAU TILE, INC. THE PROPRIETARY INFORMATION AND TRADEMARKS SHOWN ON THIS DRAWING ARE THE SOLE PROPERTY OF WASAU TILE, INC.

JOB NAME _____
 ADDRESS _____
 CITY, STATE ZIP _____

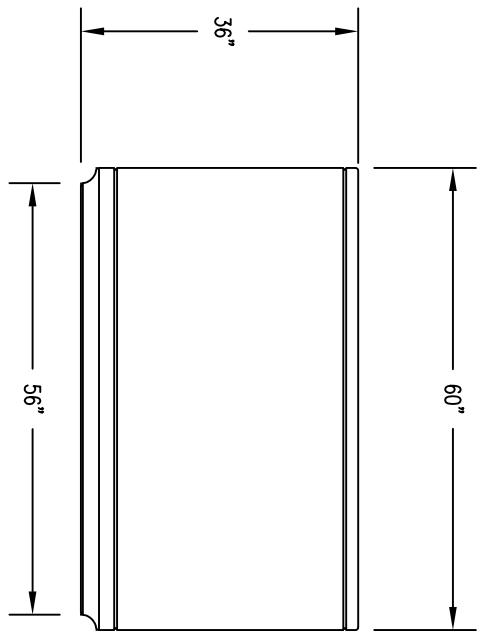
UNLESS OTHERWISE SPECIFIED
 DIMENSIONS ARE IN INCHES
 FINISHES 4/16"

DRAWN BY: SK
 DATE: 7/23/15
 CD NUMBER: 7
 WEIGHT: 3,470 LBS

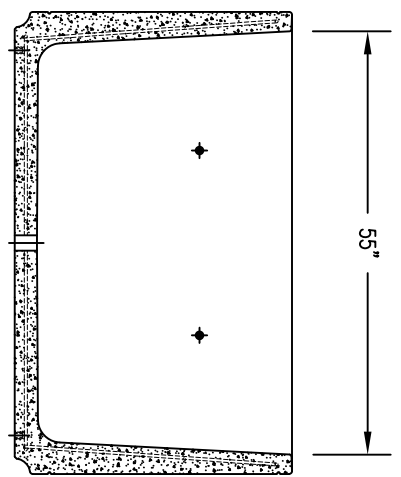
PRODUCT NO.
TF 4205



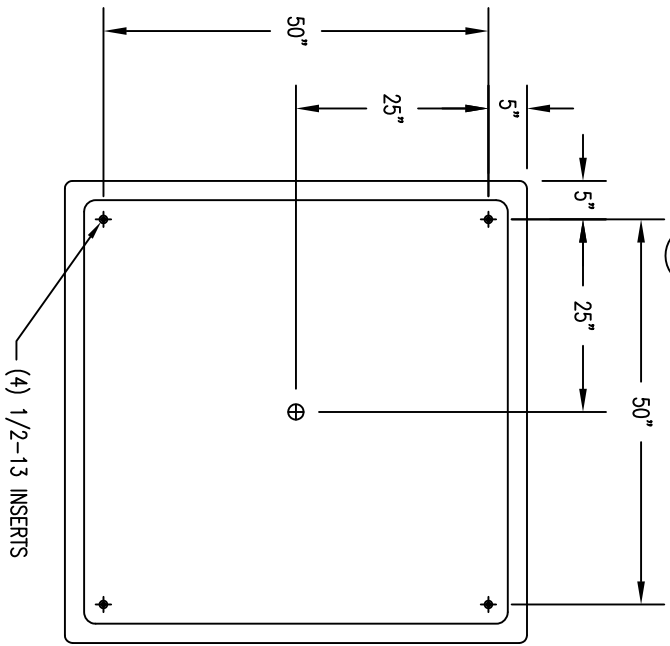
1 TOP VIEW



2 ELEVATION VIEW



4 CROSS SECTION



3 BOTTOM VIEW