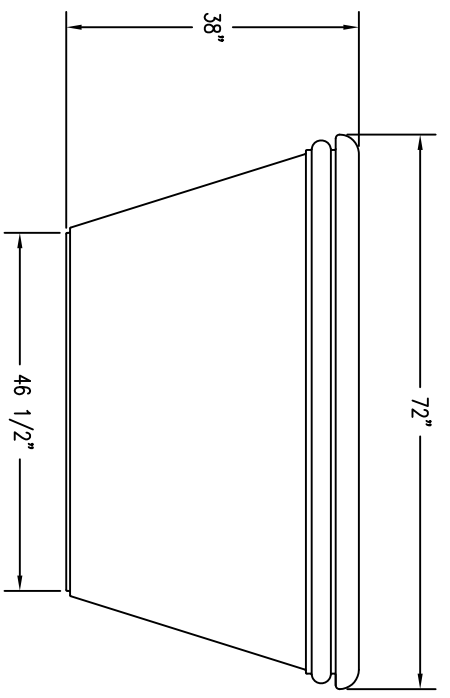
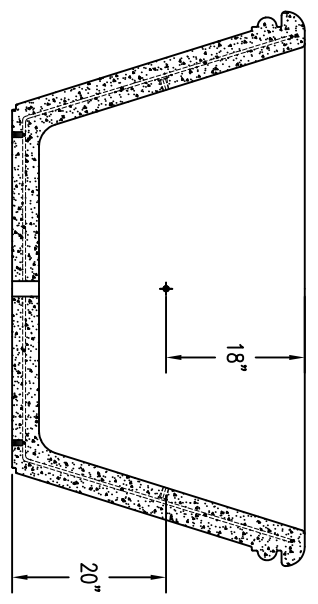


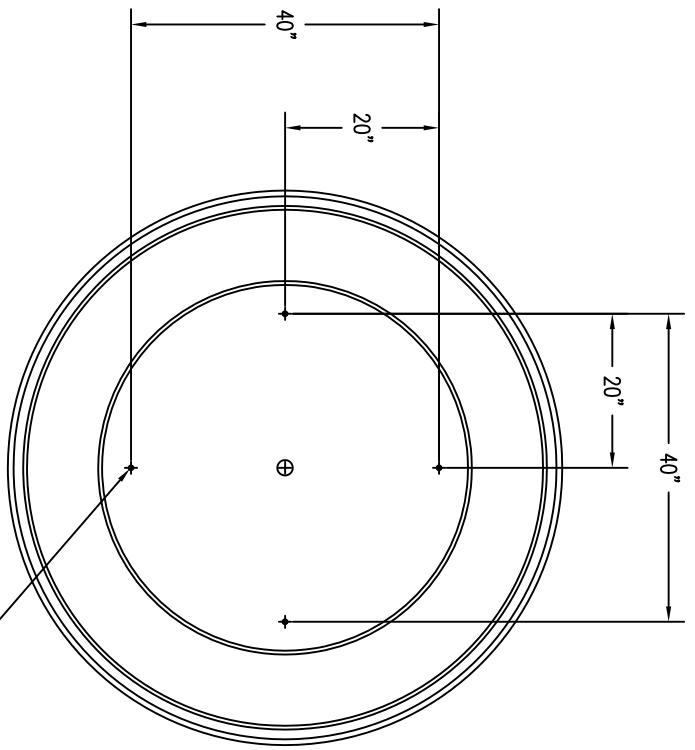
1 TOP VIEW



2 ELEVATION VIEW



4 CROSS SECTION



3 BOTTOM VIEW
(4) 1/2-13 INSERTS

WASAU  **MADE**

P.O. BOX 1520 WASAU, WI 54402-1520
 E-MAIL: SALES@WASAUINC.COM
 WEB SITE: WWW.WASAUINC.COM

REVISIONS		
NAME	DATE	NOTES
1		
2		
3		
4		
5		
6		
7		
8		

THESE DRAWING, SPECIFICATIONS AND OTHER INFORMATION IS UNCLASSIFIED AND ACCOMPANYING THEM ARE THE CONFIDENTIAL AND PROPRIETARY PROPERTY OF WASAU TILE, INC. THE DRAWINGS HEREIN SHALL BELONG TO THE OWNER AND SHALL REMAIN UNCLASSIFIED. ANY ADDITIONAL USE SHALL REQUIRE THE PRIOR WRITTEN APPROVAL OF WASAU TILE, INC. THE PROPRIETARY INFORMATION CONTAINED WITHIN THE DRAWINGS AND THIS DOCUMENT IS THE PROPERTY OF WASAU TILE, INC. THE SALE PROPERTY OF WASAU TILE, INC.

JOB NAME _____
 ADDRESS _____
 CITY, STATE ZIP _____

UNLESS OTHERWISE SPECIFIED
 DIMENSIONS ARE IN INCHES
 FINISHES: 3/16"

DRAWN BY: SK
 DATE: 7/24/15
 CD NUMBER: 7
 WEIGHT: 2.850 LBS

PRODUCT NO.
TF 4309