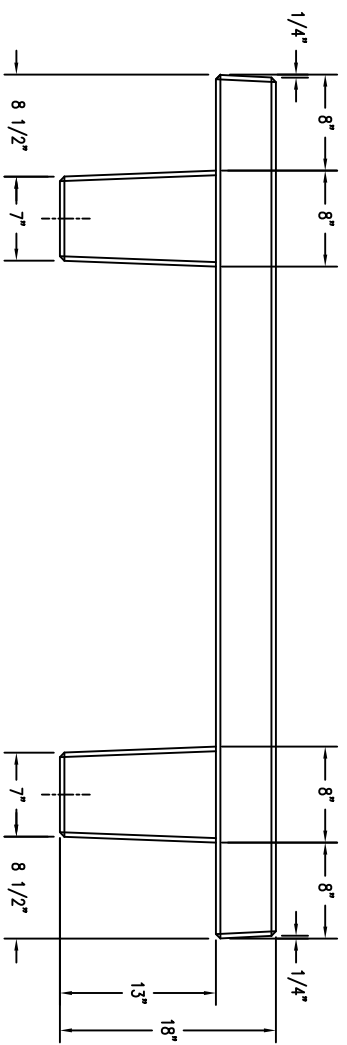
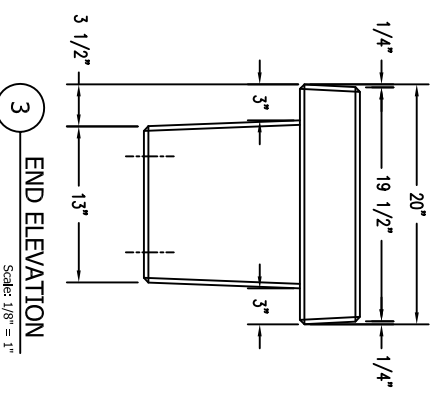


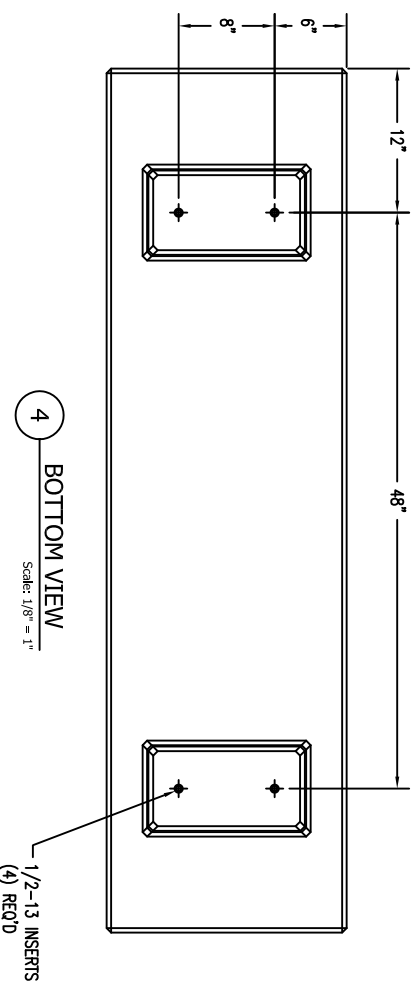
1 TOP VIEW
Scale: 1/8" = 1"



2 FRONT & BACK ELEVATION
Scale: 1/8" = 1"



3 END ELEVATION
Scale: 1/8" = 1"



4 BOTTOM VIEW
Scale: 1/8" = 1"

REVISIONS						DRAWN BY		JOB		MATERIAL	
NO.	DATE	BY	NO.	DATE	BY	JOB NO.	LOCATION	WEIGHT	ITEM NO.	FINISH	DWG. NO.
WAUSAU TILE SITE FURNISHINGS											
P.O. BOX 1520 WAUSAU, WISCONSIN 54402-1520 800/298-8728											
E-MAIL: TILES@WAUSAUTILE.COM											
WEB SITE: WWW.WAUSAUTILE.COM											
1	6/28/10	PMW	4			AS NOTED		940 LBS	TF5029		1 OF 1
2	7/12/18	TAS	5				UNLESS OTHERWISE SPECIFIED DIMENSIONS ARE IN INCHES TOLERANCES ± 1/8"			DATE 3/12/08	
3			6							FINISH OPTIONS	