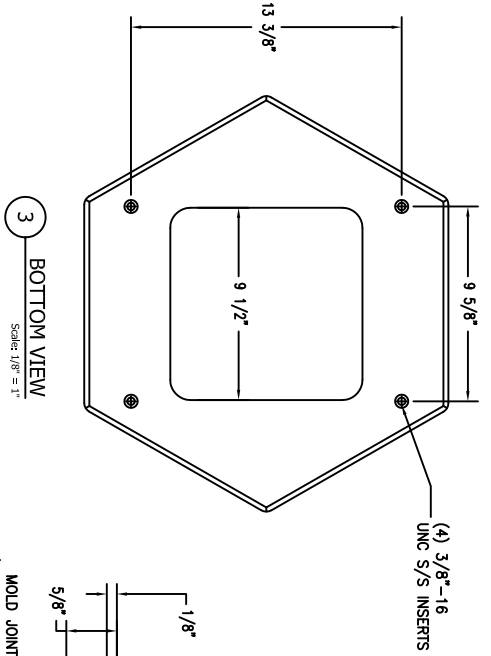
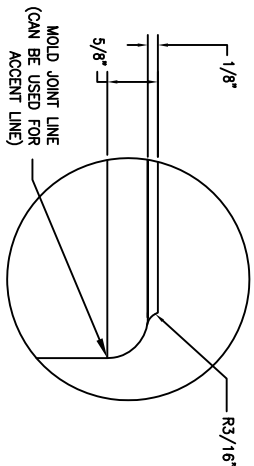


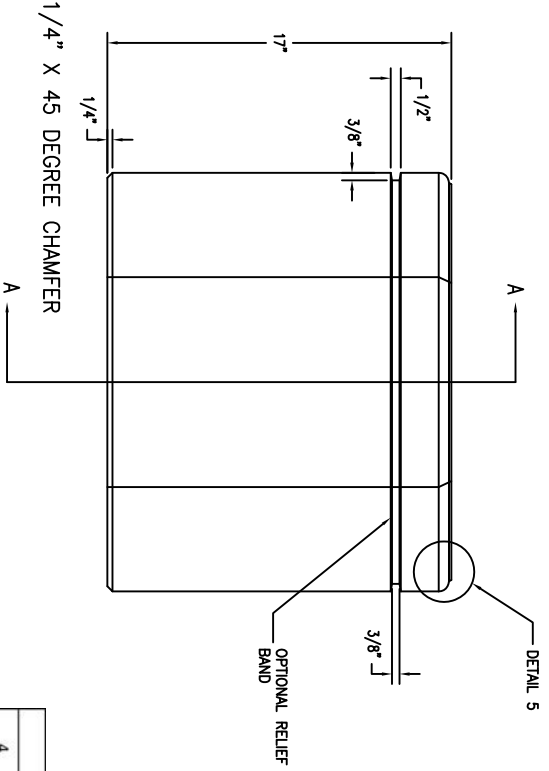
1 TOP VIEW  
Scale: 1/8" = 1"



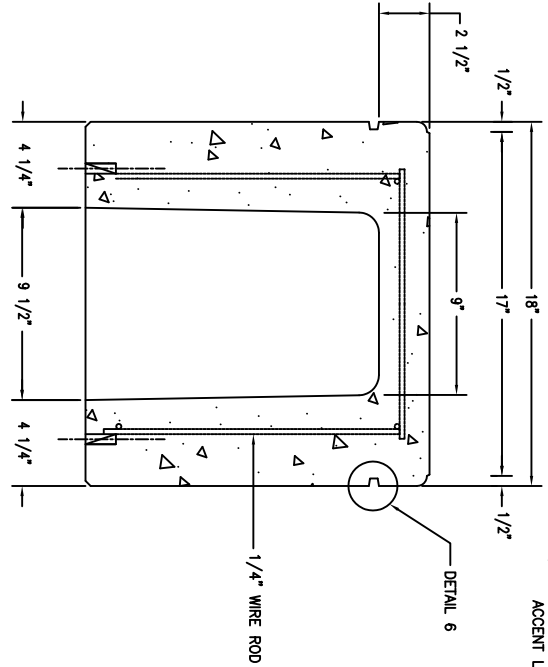
3 BOTTOM VIEW  
Scale: 1/8" = 1"



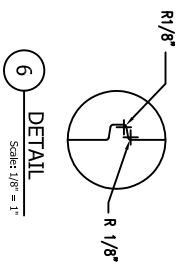
5 DETAIL  
Scale: 1/8" = 1"



2 ELEVATION VIEW  
Scale: 1/8" = 1"



4 SECTION VIEW  
Scale: 1/8" = 1"



6 DETAIL  
Scale: 1/8" = 1"

SIGN BELOW IF DRAWINGS ARE APPROVED W/ MARKED CHANGES  
APPROVED: \_\_\_\_\_  
DATE: \_\_\_\_\_  
(SIGNATURE ABOVE ILLUSTRATES ACCEPTANCE OF DIMENSIONS SHOWN.)

<b>WAUSAU TILE</b> P.O. BOX 1030 WAUSAU, WISCONSIN 54981-1030 800/286-8728 P.O. BOX 897 BARRING, CALIFORNIA 92221 877/866-2886		DRAWN BY: AKH JOB NO.: LOCATION: DATE: 11/8/13 DWG. NO.:	MATERIAL: CONCRETE WEIGHT: 650 LBS ITEM NO.: TS3125
REVISION 1 2 3 4	DESCRIPTION DRAWN BY DATE	FINISH OPTIONS AS NOTED	UNLESS OTHERWISE SPECIFIED DIMENSIONS ARE IN INCHES TOLERANCES ±1/8"