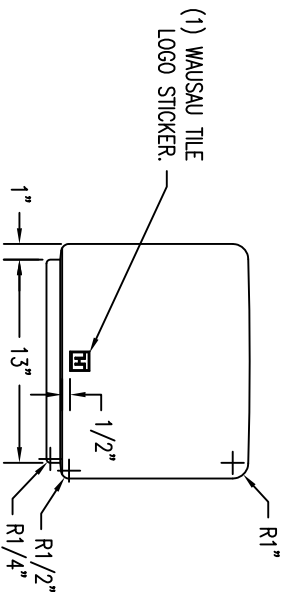
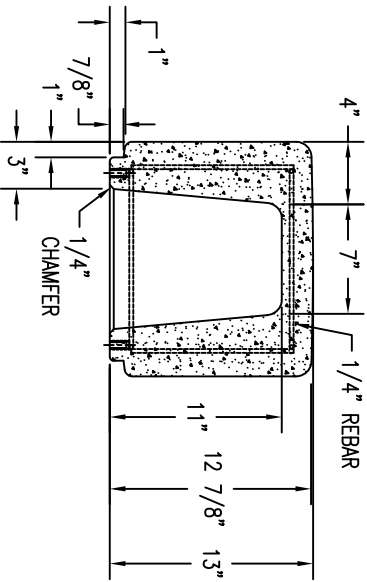


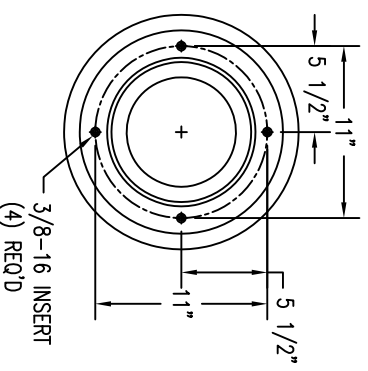
1 TOP VIEW
Scale: 1/8" = 1"



2 ELEVATION VIEW
Scale: 1/8" = 1"



3 SECTION VIEW
Scale: 1/8" = 1"



4 BOTTOM VIEW
Scale: 1/8" = 1"

WAUSAU TILE SITE FURNISHINGS

P.O. BOX 1520 WAUSAU, WISCONSIN 54402-1520 800/298-8728
P.O. BOX 987 BANNING, CALIFORNIA 92220 800/231-4836

REVISIONS				DRAWN BY MJS		JOB LOCATION		MATERIAL	
NO.	DATE	BY	NO.	DATE	BY	JOB NO.	LOCATION	WEIGHT	CONCRETE
1	5/4/10	PAN	4					155 LBS	
2			5					TF5204	
3			6					DWG. NO. 1 OF 1	

UNLESS OTHERWISE SPECIFIED DIMENSIONS ARE IN INCHES TOLERANCES: ±1/8"

SCALE AS NOTED

FINISH OPTIONS

DATE 11/21/08