

| REVISIONS | | |
|-----------|------|-------|
| NAME | DATE | NOTES |
| 1 | --- | --- |
| 2 | --- | --- |
| 3 | --- | --- |
| 4 | --- | --- |
| 5 | --- | --- |
| 6 | --- | --- |
| 7 | --- | --- |
| 8 | --- | --- |

CONFIDENTIAL INFORMATION
 THESE DRAWINGS, SPECIFICATIONS AND OTHER INFORMATION AND DOCUMENTS ACCOMPANYING THEM ARE THE CONFIDENTIAL AND PROPRIETARY PROPERTY OF WAUSAU TILE, INC. THE DRAWINGS THEMSELVES SHALL BELONG TO THE OWNER FOR USE ONLY ON THE PROJECT. ANY ADDITIONAL USE SHALL REQUIRE THE PRIOR WRITTEN APPROVAL OF WAUSAU TILE, INC. THE PROPRIETARY INFORMATION CONTAINED WITHIN THE DRAWINGS AND THE DOCUMENTS IS AND SHALL REMAIN THE SOLE PROPERTY OF WAUSAU TILE, INC.

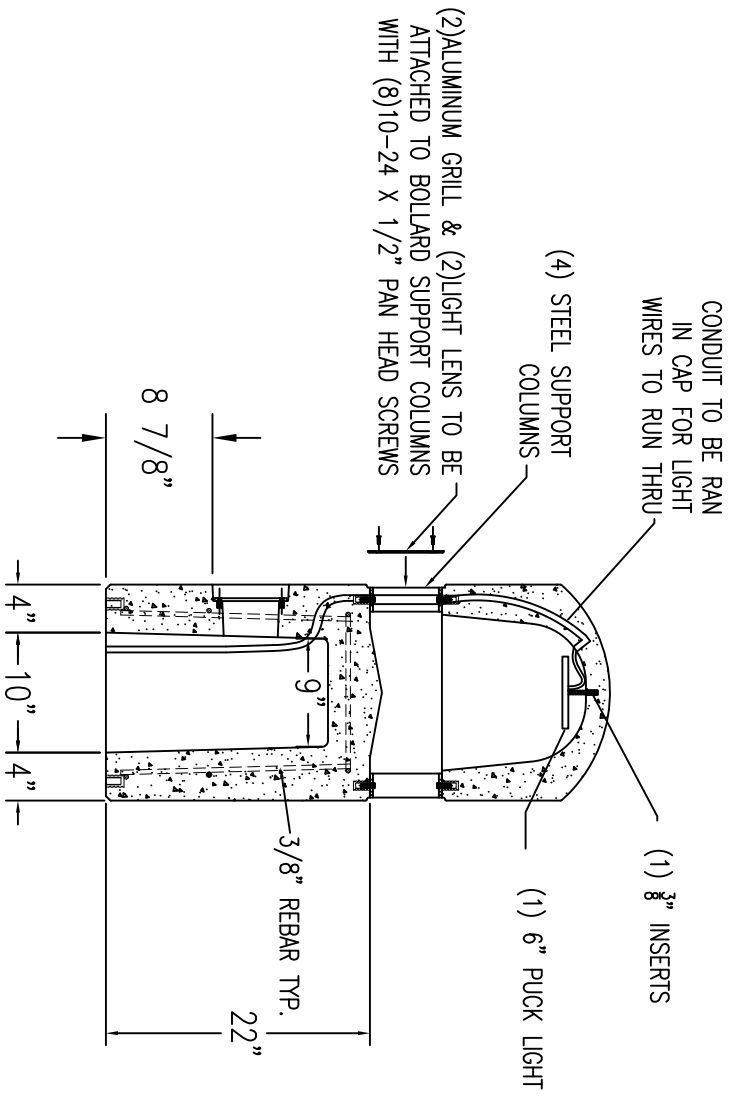
JOB NAME _____
 ADDRESS _____
 CITY, STATE ZIP _____

UNLESS OTHERWISE SPECIFIED
 DIMENSIONS ARE IN INCHES
 FRACTIONS ±1/8"

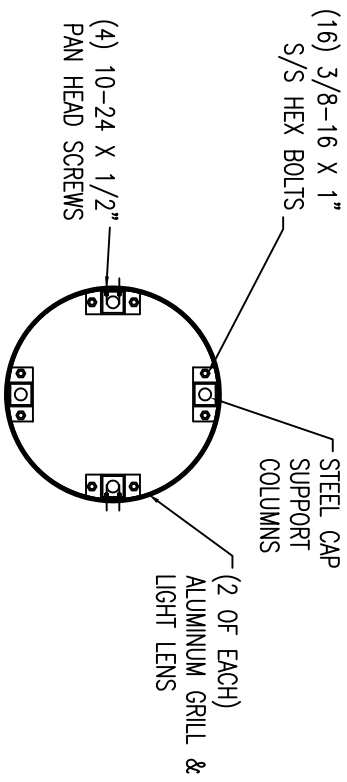
| |
|-----------------|
| DRAWN BY: TJS |
| DATE: 1/20/17 |
| CO NUMBER: ? |
| WEIGHT: 700 LBS |

PRODUCT NO.

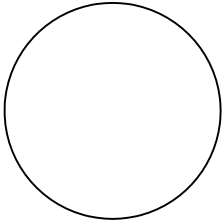
TF 6084



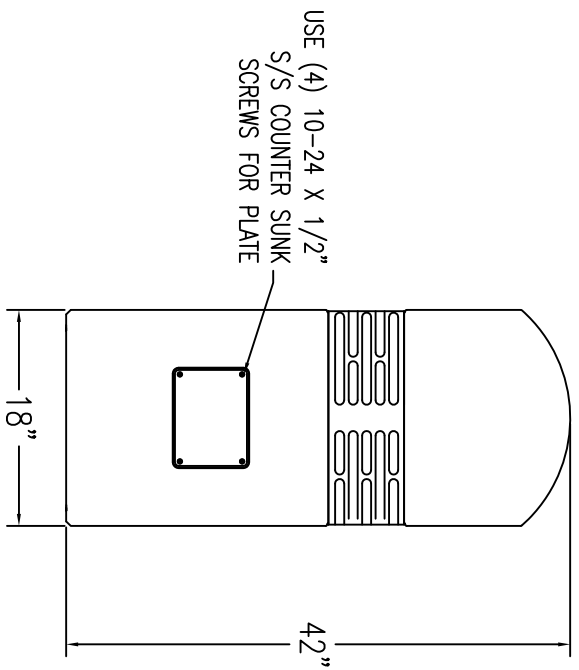
4 CROSS SECTION



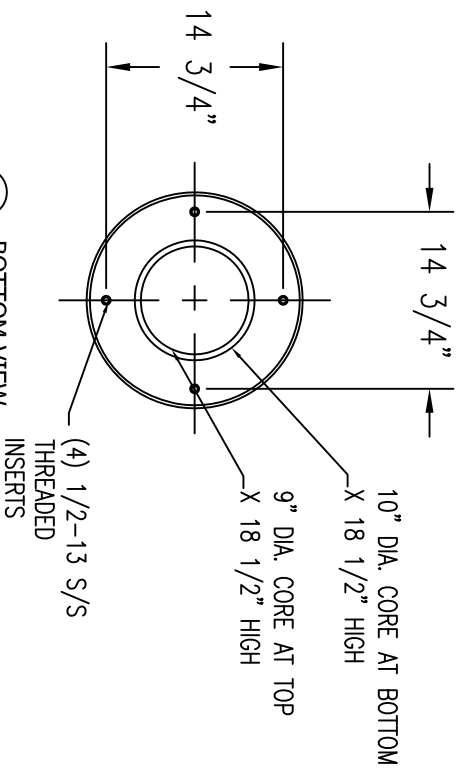
10 ALUMINUM GRILL CROSS SECTION



1 TOP VIEW



2 ELEVATION VIEW



3 BOTTOM VIEW